

# DS03-022

# 2015-2021 Ford F150/F250/F350 Super Crew Cab Installation Instructions

## Hardware Kit Includes Loose:

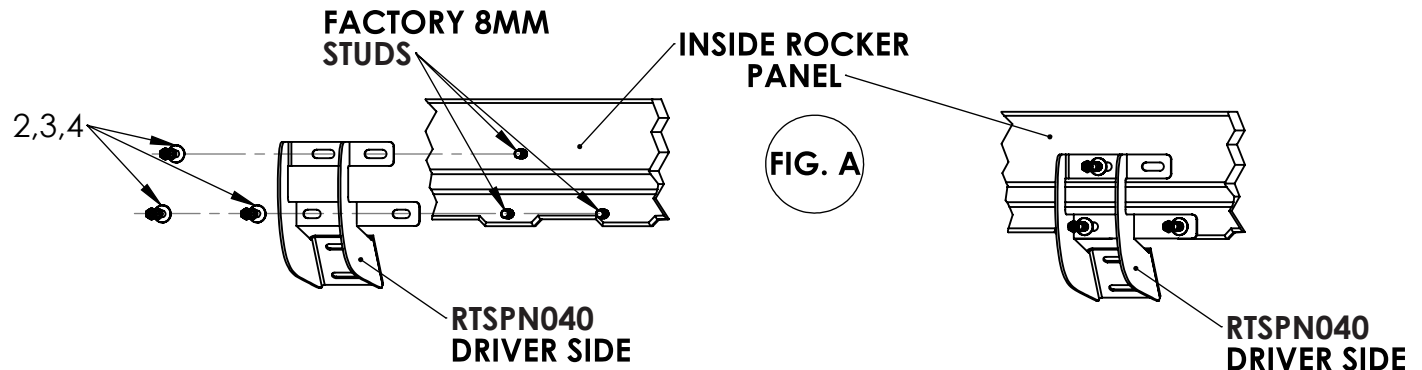
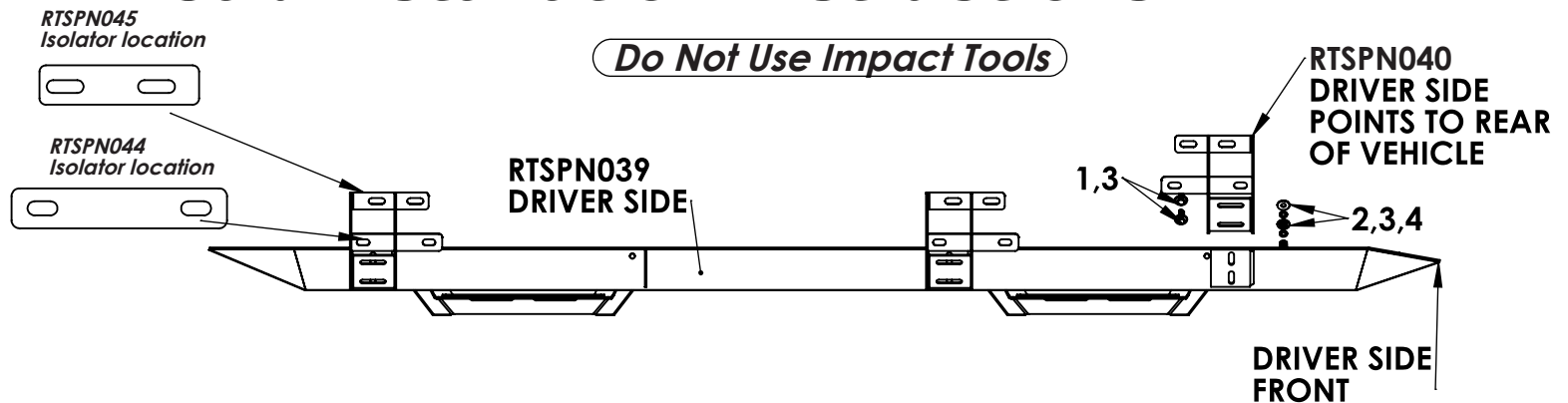
- (1) 6 – Hex head bolts (M8-1.25 x 20mm) Grade 8
- (2) 30 – Lock washers (M8) Grade 8
- (3) 30 – Flat washers (M8) Grade 8
- (4) 24 – Hex head nuts (M8-1.25) Grade 8
- (5) 6 – M8 Plastic Push Nut

## Components List:

- (1) 2 – Heavy Duty Drop Steps (RTSPN039)
  - 1 Driver/1 Passenger
- (2) 6 – Mounting Brackets (RTSPN040)
  - 3 Driver/3 Passenger
- (3) 6 – Rubber Isolator (RTSPN044)
- (4) 6 – Rubber Isolator (RTSPN045)
- (5) 6 – M8 RT Step T Bolt (RTSPN175)

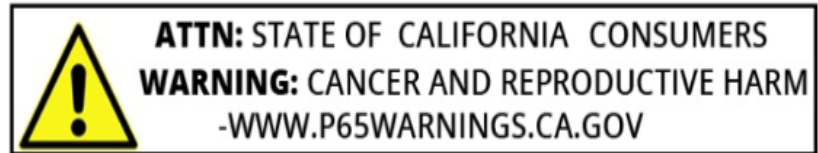
**DISCLAIMER: USE ONLY COMPONENTS AND HARDWARE SUPPLIED. NO SUBSTITUTIONS.**

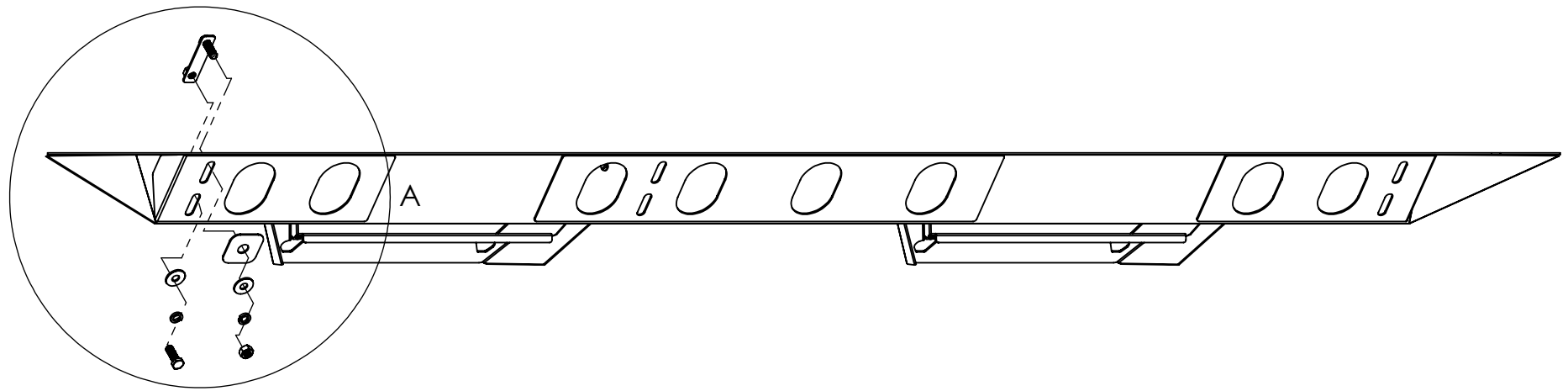
**LOOSE FIT ALL COMPONENTS. DO NOT TIGHTEN UNTIL ALL COMPONENTS ARE INSTALLED AND ADJUSTED.**



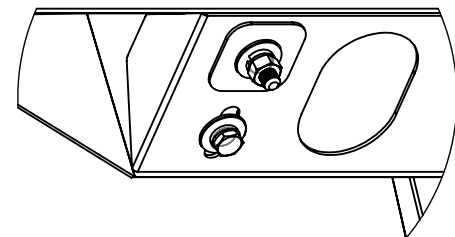
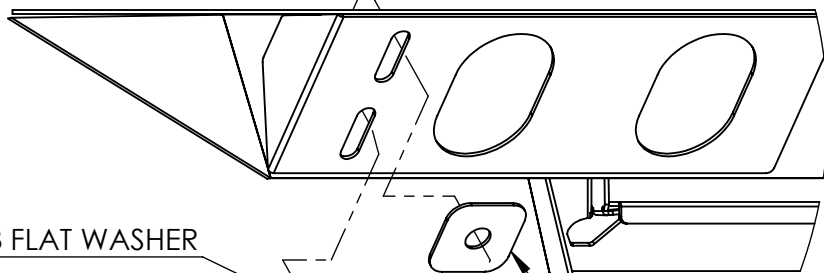
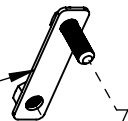
## Step by Step Installation Instructions

- STEP 1:** Read and understand instructions completely before beginning installation.
- STEP 2:** Remove all old steps and hardware from truck.
- STEP 3:** Locate the driver's side step (the front of the step bar has a bend down and a notch on the inside top).
- STEP 4:** On the inside rocker panel there are three mounting points, each with (3) 8mm threaded studs coming out of the panel. Hang RTSPN040 mounting brackets from each of these three mounting points, aligning the studs with the mounting holes in each RTSPN040 bracket (FIG. A). Use provided 8mm nut, lock washer and flat washer for each stud. Use one (RTSPN045) Isolator in between bracket and body (Top holes) and one (RTSPN044) on bottom locations on all six brackets. The factory studs may be covered in paint and need to be cleaned before the 8mm nut will install. Be careful not to cross thread the nut on the studs. Do not tighten mounting brackets to truck until step is attached to mounting brackets and properly aligned.
- STEP 5:** Once RTSPN040 brackets are loose fit to the truck, attach step bar to brackets using supplied 8mm bolts, flat washers, lock washers and nuts. Do not tighten bar to brackets, leave finger tight. Once bar is loose fit to brackets, adjust brackets and fully tighten brackets to inside rocker. **DO NOT USE IMPACT TOOLS.**
- STEP 6:** Next, adjust bar up/down and front/back then fully tighten step to brackets. **DO NOT USE IMPACT TOOLS.** Repeat for passenger side. Proceed to page 2 for further instructions.





RTSPN175 - M8 RT STEP  
MOUNTING T-BOLT



M8 FLAT WASHER

M8 LOCK WASHER

M8-1.25 x 20MM  
HEX HEAD BOLT

M8 PLASTIC PUSH NUT

M8 FLAT WASHER

M8 LOCK WASHER

M8-1.25 HEX HEAD NUT