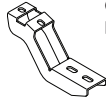


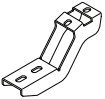


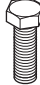



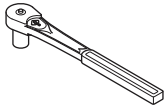
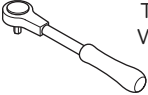



BRACKET KIT INSTALLATION

SKU# IP-TYBK000



Inspired Performance

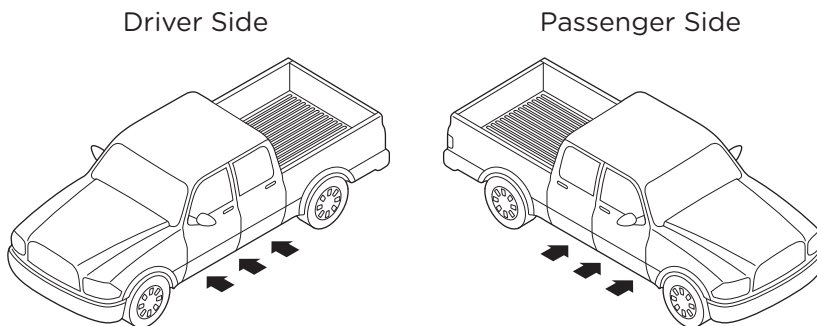
COMPONENTS		HARDWARE	
<p>DRIVER SIDE</p> <p>Qty: 1 Front Bracket</p>  <p>Qty: 1 Center Bracket</p>  <p>Qty: 1 Rear Bracket</p> 	<p>PASSENGER SIDE</p> <p>Qty: 1 Front Bracket</p>  <p>Qty: 1 Center Bracket</p>  <p>Qty: 1 Rear Bracket</p> 	<p> Qty: 12 M8 x 30MM Hex Head Bolts</p> <p> Qty: 26 M8 Flat Washers</p> <p> Qty: 12 Hex Head Nuts</p>	<p> Qty: 26 M8 Lock Washers</p>
TOOLS REQUIRED		INSTALLATION NOTES	
<p>METRIC/STANDARD RATCHET</p> 	<p>TORQUE WRENCH</p> 	<p>13MM SOCKET</p> 	<p>TORQUE NOTE: Bolts and nuts should be torqued to 15-20 ft lbs.</p> <p>NOTE: Hardware for Board Installation is included.</p> <p>NOTE: Some spare hardware is included.</p>

Remove all contents from the package and check brackets for any damage. Also, verify that all components and hardware listed above are included before you begin installation.

Read through entire installation manual and installation drawings to ensure that you understand all of the components and hardware before proceeding with installation.

NOTE: When installing the brackets, all hardware must be left loose until all of the items are attached.

Locate factory hole locations in three (3) places per side on the body mount.



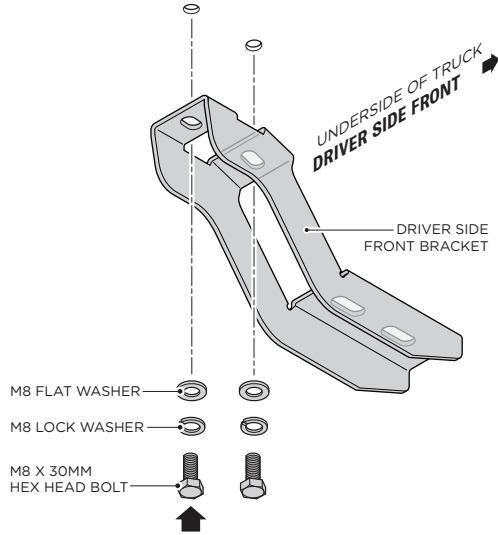
BRACKET INSTALLATION

SKU# IP-TYBK000

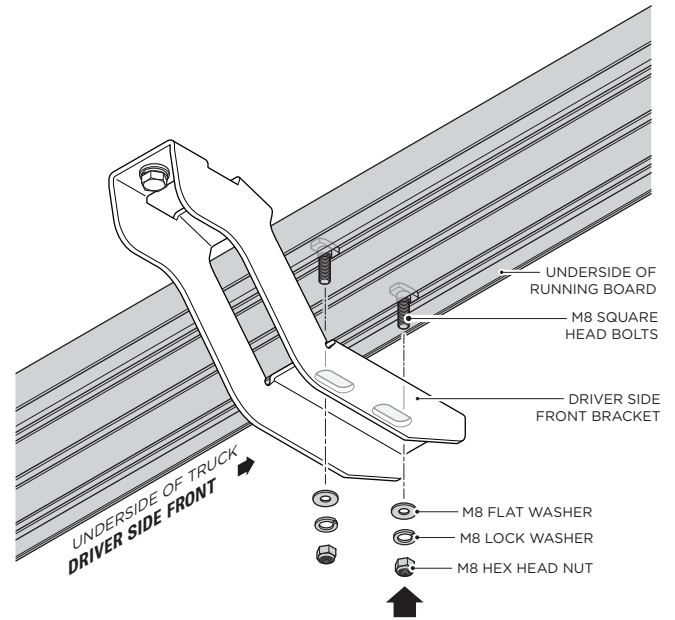


*Inspired
Performance*

1. Fasten the top portion of the Driver Side Front, Center, Rear Bracket by using (2) M8 x 30MM Hex Head, (2) M8 Flat Washers and (2) M8 Lock Washers.



2. Fasten the Running Board to the Driver Side Front, Center Rear, Bracket cradle by using (2) M8 Flat Washers, (2) M8 Lock Washers and (2) M8 Nylon Nuts.



3. Repeat these steps for passenger side installation.